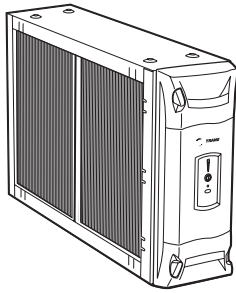




It's Hard To Stop A Trane.®



Trane CleanEffects™ Whole House Air Cleaner:

- Trane CleanEffects™ removes up to 99.98% of allergens from the filtered air
- Removes particles down to .1 micron in size
- Outperforms HEPA, and up to 100 times more effective than a standard 1" filter
- Constructed of heavy 18 gage metal to protect the filter and internal electronics
- Power door provides easy access to internal components and features a filter status display as well as safety interlocks that automatically shut down the power when the door is opened for maintenance or cleaning
- Designed for flush fit on both sides and rear of equipment cabinet
- No transitions required on Trane CleanEffects™ applications
- Gaskets included with the air cleaner
- ComfortLink II™ communicating or 24 volt capability
- **Base Limited Warranty 5-years**
- **Registered Limited Warranty 10-years**

Trane CleanEffects™ Whole House Air Cleaner

Table IAQ-1-A – Air Handler – 24 Volt Trane CleanEffects™ Whole House Air Cleaner

Model Number	Airflow Range	Trane CleanEffects™ Air Handler Width	Uncrated Dimensions(in.) H x W x D	Shipping Weight
TFD175CLAH000D	300-1200	17½ inch	7½ x 17½ x 21	37
TFD215CLAH000D	300-1200	21½ inch	7½ x 21½ x 21	42
TFD235CLAH000D	350-1600	23½ inch	7½ x 23½ x 21	44
TFD260CLAH000D	400-2000	26 inch	7½ x 26 x 21	46

Table IAQ-1-B – Upflow / Side Return Furnace – 24 Volt Trane CleanEffects™ Whole House

Model Number	Airflow Range	Trane CleanEffects™ Furnace Width	Uncrated Dimensions(in.) H x W x D	Shipping Weight
TFD145CLFR000D	300-1200	14½ inch ^①	7½ x 14½ x 27	39
TFD175CLFR000D	300-1600	17½ inch ^①	7½ x 17½ x 27	43
TFD210CLFR000D	300-2000	21 inch ^②	7½ x 21 x 27	47
TFD245CLFR000D	400-2000	24½ inch ^②	7½ x 24½ x 27	49

Table IAQ-1-C – Downflow Furnace – 24 Volt Trane CleanEffects™ Whole House

Model Number	Airflow Range	Trane CleanEffects™ Furnace Width	Uncrated Dimensions(in.) H x W x D	Shipping Weight
TFD14DCLFR000D	300-1200	14½ inch	7½ x 14½ x 21	33
TFD17DCLFR000D	300-1600	17½ inch	7½ x 17½ x 21	37
TFD21DCLFR000D	300-2000	21 inch	7½ x 21 x 21	41
TFD24DCLFR000D	400-2000	24½ inch	7½ x 24½ x 21	45

Table IAQ-1-D — Accessories – Trane CleanEffects™ Whole House

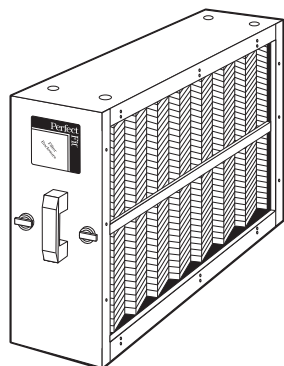
Model Number	Description	Used With	Shipping Weight
BAYTRANS12024	120 to 24 Volt Transformer	All TFD Air Cleaners	6

- ① Side return no transition required.
- ② Side return transition required.



It's Hard To Stop A Trane.®

Perfect Fit™ Media Filters



- Three sizes to flush fit TEE/TEP 6-way convertible Air Handler return
- Four sizes to flush fit bottom of Trane furnaces
- TFP175, TFM175 (17½") bottom return model can be used for a Perfect Fit™ side return on all furnace models
- Air Cleaners designed for flush fit on both sides and rear of equipment cabinet
- All service and access is from the front of the air cleaner
- **Air-Tite™** Door construction eliminates air leaks, improves air quality and keeps operating costs low
- Gaskets included with the air cleaner

Table IAQ-2-A – Air Handler Perfect Fit™ High Efficiency Air Cleaner With Five (5) Inch Expandable Media Filter

Model Number	Airflow Range	Perfect Fit™ Air Handler Width	Uncrated Dimensions(in.) H x W x D	Shipping Weight	Return Air Opening③
TFM215B0AH0	300-1400	21½ inch	7½ x 21½ x 21	22	18⅞ x 18⅞
TFM235B0AH0	300-1700	23½ inch	7½ x 23½ x 21	24	20⅞ x 18⅞
TFM260B0AH0	400-2100	26 inch	7½ x 26 x 21	25	23⅞ x 18⅞

Table IAQ-2-B – Furnace Perfect Fit™ High Efficiency Air Cleaner With Five (5) Inch Expandable Media Filter

Model Number	Airflow Range	Perfect Fit™ Furnace Width	Uncrated Dimensions(in.) H x W x D	Shipping Weight	Return Air Opening③
TFM145B0FR0	300-1200	14½ inch①	7½ x 14½ x 27	18	11⅞ x 24 ¹³ / ₁₆
TFM175B0FR0	300-1500	17½ inch①	7½ x 17½ x 27	21	14⅞ x 24 ¹³ / ₁₆
TFM210B0FR0	300-2000	21 inch②	7½ x 21 x 27	24	18 ³ / ₈ x 24 ¹³ / ₁₆
TFM245B0FR0	400-2000	24½ inch②	7½ x 24½ x 27	27	21⅞ x 24 ¹³ / ₁₆

Table IAQ-2-C – Downflow Furnace Perfect Fit™ High Efficiency Air Cleaner With Five (5) Inch Expandable Media Filter

Model Number	Airflow Range	Perfect Fit™ Furnace Width	Uncrated Dimensions(in.) H x W x D	Shipping Weight	Return Air Opening③
TFM14DA0FR0	300-1200	14½ inch	7½ x 14½ x 21	17	11⅞ x 18⅞
TFM17DA0FR0	300-1500	17½ inch	7½ x 17½ x 21	19	14⅞ x 18⅞
TFM21DA0FR0	300-2000	21 inch	7½ x 21 x 21	22	18 ³ / ₈ x 18⅞
TFM24DA0FR0	400-2000	24½ inch	7½ x 24½ x 21	24	21⅞ x 18⅞

Table IAQ-2-D – Air Handler Perfect Fit™ Medium Efficiency Air Cleaner With One (1) Inch Pleated Filter

Model Number	Airflow Range	Perfect Fit™ Air Handler Width	Uncrated Dimensions(in.) H x W x D	Shipping Weight	Return Air Opening③
TFP215A0AH1	300-1200	21½ inch	7½ x 21½ x 21	20	18⅞ x 18⅞
TFP235A0AH1	300-1500	23½ inch	7½ x 23½ x 21	22	20⅞ x 18⅞
TFP260A0AH1	400-1800	26 inch	7½ x 26 x 21	24	23⅞ x 18⅞

Table IAQ-2-E – Furnace Perfect Fit™ Medium Efficiency Air Cleaner With One (1) Inch Pleated Filter

Model Number	Airflow Range	Perfect Fit™ Furnace Width	Uncrated Dimensions(in.) H x W x D	Shipping Weight	Return Air Opening③
TFP145A0FR1	300-1200	14½ inch①	7½ x 14½ x 27	17	11⅞ x 24 ¹³ / ₁₆
TFP175A0FR1	300-1500	17½ inch①	7½ x 17½ x 27	19	14⅞ x 24 ¹³ / ₁₆
TFP210A0FR1	400-1800	21 inch②	7½ x 21 x 27	22	18 ³ / ₈ x 24 ¹³ / ₁₆
TFP245A0FR1	400-2000	24½ inch②	7½ x 24½ x 27	25	21⅞ x 24 ¹³ / ₁₆

- ① Side return no transition required.
 ② Side return transition required.
 ③ Actual opening does not include flange.

For complete equipment / combination selections, installation instructions and warranty information, please refer to Product Data/Ratings and/or Installers Guides and Limited Warranty Handbooks.



Perfect Fit™ Filter Accessories

Table IAQ-3-A — Furnace Enclosure Filters

Model			Enclosure	Shipping
Number	Description	Qty	Used with	Weight
BAYFTFR14P4	1" Pleated Filter	4 / Box	14 1/2	3
BAYFTFR17P4	1" Pleated Filter	4 / Box	17 1/2	3
BAYFTFR21P4	1" Pleated Filter	4 / Box	21	3
BAYFTFR24P4	1" Pleated Filter	4 / Box	24 1/2	3
BAYFTFR14M2	5" Media Filter	2 / Box	14 1/2	5
BAYFTFR17M2	5" Media Filter	2 / Box	17 1/2	5
BAYFTFR21M2	5" Media Filter	2 / Box	21	5
BAYFTFR24M2	5" Media Filter	2 / Box	24 1/2	6
BAYFTFREXM2	Expandable 5" Cartridge Media Filter	2 / Box	14 1/2-24 1/2	5

Table IAQ-3-B — Air Handler Enclosure Filters

Model			Enclosure	Shipping
Number	Description	Qty	Used with	Weight
BAYFTAH21P4	1" Pleated Filter	4 / Box	21 1/2	3
BAYFTAH23P4	1" Pleated Filter	4 / Box	23 1/2	3
BAYFTAH26P4	1" Pleated Filter	4 / Box	26	3
BAYFTAH21M2	5" Media Filter	2 / Box	21 1/2	5
BAYFTAH23M2	5" Media Filter	2 / Box	23 1/2	5
BAYFTAH26M2	5" Media Filter	2 / Box	26	6
BAYFTAHEXM2	Expandable 5" Cartridge Media Filter	2 / Box	21 1/2-26	5

Table IAQ-3-C — Downflow Cartridge Media

Model			Enclosure	Shipping
Number	Description	Qty	Used with	Weight
BAYFTDN14M2	5" Downflow Media Filter	2/ Box	14 D	5
BAYFTDN17M2	5" Downflow Media Filter	2/ Box	17 D	5
BAYFTDN21M2	5" Downflow Media Filter	2/ Box	21 D	5
BAYFTDN24M2	5" Downflow Media Filter	2/ Box	24 D	5

Table IAQ-3-D — Furnace Frames

Model			Enclosure	Shipping
Number	Description	Qty	Used with	Weight
BAYFRAME145①	Expandable Media Filter	1/ Box	14 1/2	5
BAYFRAME175①	Expandable Media Filter	1/ Box	17 1/2	5
BAYFRAME210①	Expandable Media Filter	1/ Box	21	5
BAYFRAME245①	Expandable Media Filter	1/ Box	24 1/2	5

Table IAQ-3-E — Air Handler Frames

Model			Enclosure	Shipping
Number	Description	Qty	Used with	Weight
BAYFRAME215①	Expandable Media Frame	1/ Box	21	5
BAYFRAME235①	Expandable Media Frame	1/ Box	23 1/2	5
BAYFRAME260①	Expandable Media Frame	1/ Box	26	5

① Includes one filter.



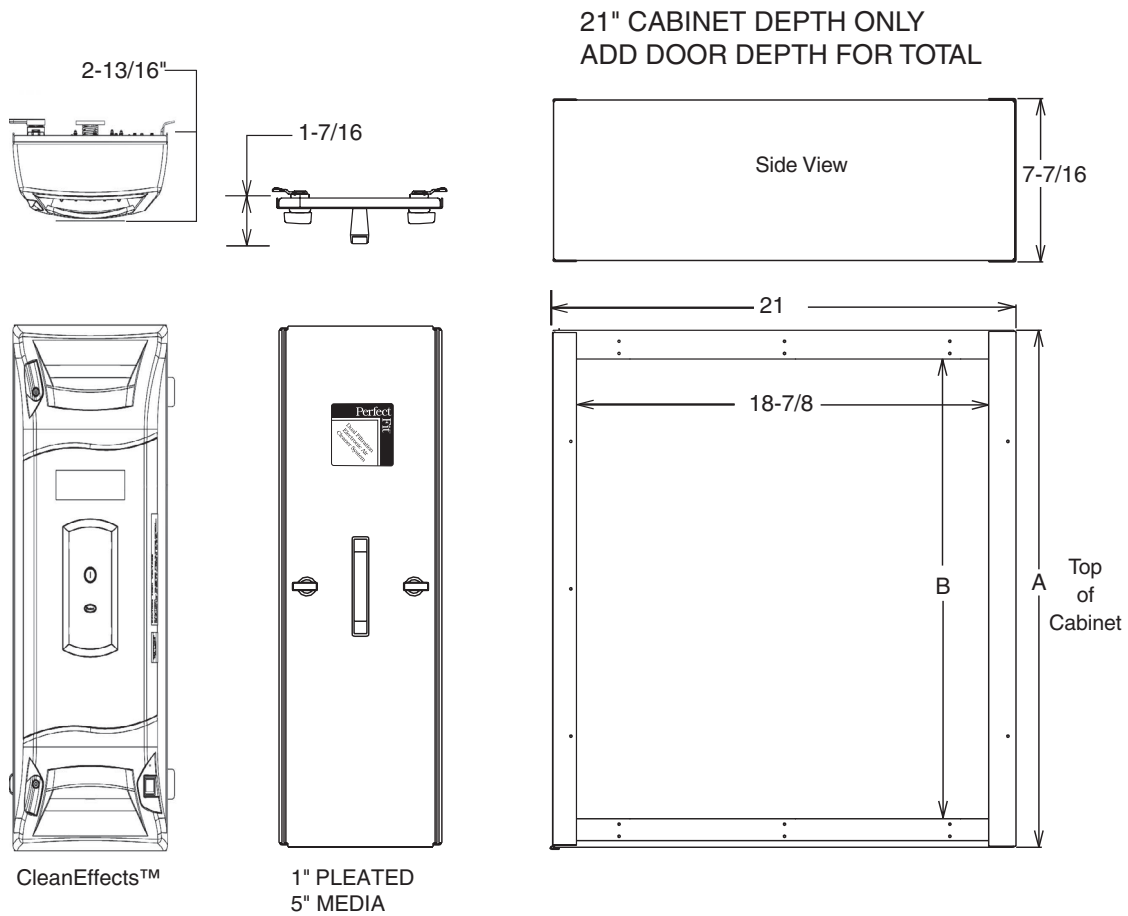
It's Hard To Stop A Trane.®

Air Handler Filters

Table IAQ-4-A — Air Handler Filters

AIR HANDLER MODEL NUMBER				
1" Pleated Filter	5" Media Filter	Trane CleanEffects™	A	B
TFP215A0AH0	TFM215A0AH0	TFD215CLAH000D	21-1/2	19
TFP235A0AH0	TFM235A0AH0	TFD235CLAH000D	23-1/2	21
TFP260A0AH0	TFM260A0AH0	TFD260CLAH000D	26	23-1/2

OUTLINE DRAWING AIR HANDLER MODELS



For complete equipment / combination selections, installation instructions and warranty information, please refer to Product Data/Ratings and/or Installers Guides and Limited Warranty Handbooks.

Furnace Filters

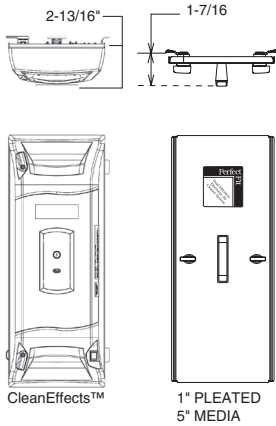


Table IAQ-5-A — Upflow Furnace Filters

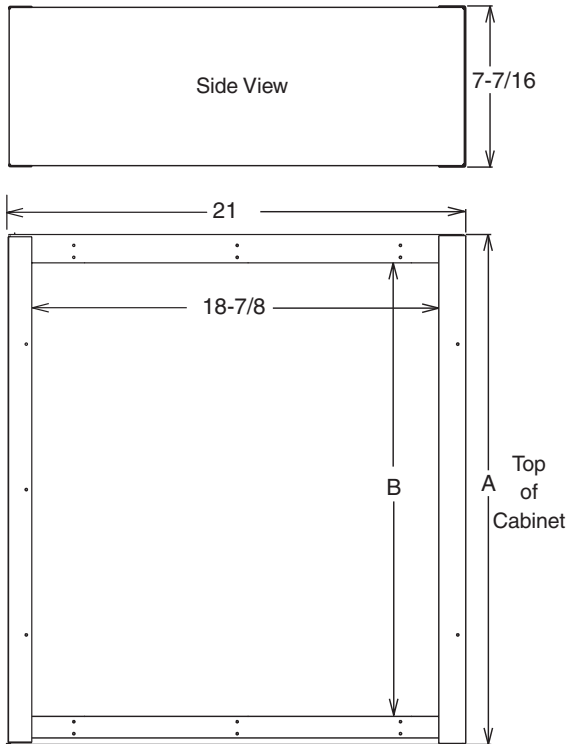
FURNACE MODEL NUMBER				
1" Pleated Filter	5" Media Filter	Trane CleanEffects™	A	B
TFP145A0FR0	TFM145A0FR0	TFD145CLFR000D	14-1/2	12
TFP175A0FR0	TFM175A0FR0	TFD175CLFR000D	17-1/2	15
TFP210A0FR0	TFM210A0FR0	TFD210CLFR000D	21	18-1/2
TFP245A0FR0	TFM245A0FR0	TFD245CLFR000D	24-1/2	22

Table IAQ-5-B — Downflow Furnace Filters

FURNACE MODEL NUMBER				
5" Media Filter	ifD Filter	A	B	
TFM14DA0FR0	TFD14DCLFR000D	14-1/2	11-7/8	
TFM17DA0FR0	TFD17DCLFR000D	17-1/2	14-7/8	
TFM21DA0FR0	TFD21DCLFR000D	21	18-3/8	
TFM24DA0FR0	TFD24DCLFR000D	24-1/2	21-7/8	

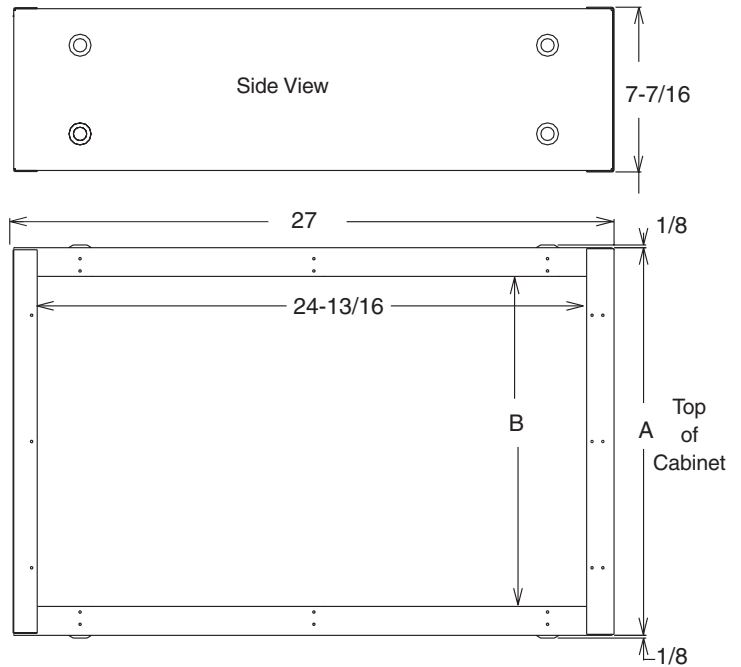
**OUTLINE DRAWING
DOWNFLOW FURNACE MODELS**

21" CABINET DEPTH ONLY
ADD DOOR DEPTH FOR TOTAL



OUTLINE DRAWING UPFLOW FURNACE MODELS

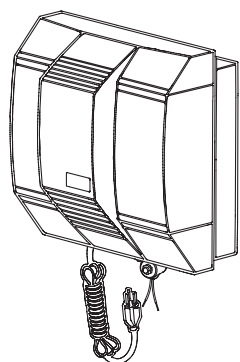
27" CABINET DEPTH ONLY
ADD DOOR DEPTH FOR TOTAL



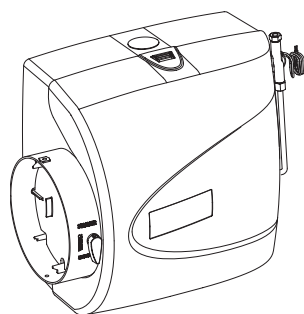


It's Hard To Stop A Trane.®

Humidifiers Fan Powered and Bypass



THUMD500A



THUMD200A, 300A

THUMD500A

- Flow Through Fan Powered Humidifier
- High Performance Humidifier Delivers up to 18 Gallons per Day
- Automatic Humidifier Control with O.D. Sensor for up to 50% more Humidity
- Front Cover Access for easy replacement of humidifier pad
- Aluminum Humidifier Pad Treated with Ceramic Coating for Enhanced Pad Performance
- Reliable Brass Solenoid Valve w/Stainless Steel Valve Seat
- UV Resistant Cabinet and Scale Control Insert
- Saddle Valve
- Polyslate Gray Housing matches Furnace Cabinet Color
- Decorative nameplate
- 120V Power Line Cord

THUMD200,300A

- THUMD300A Bypass delivers up to 17 Gallons per day
- THUMD200A delivers up to 12 Gallons per day
- THUMD300A Automatic Humidifier Control and O.D. Sensor for up to 50% more Humidity
- THUMD200A Manual Humidifier Control
- UV Resistant Cabinet and Scale Control Insert
- Front Cover Access for easy replacement of humidifier pad
- Aluminum Humidifier Pad Treated with Ceramic Coating for Enhanced Pad Performance
- Reliable Brass Solenoid Valve w/Stainless Steel Valve Seat
- Field Convertible Duct Connection, Left or Right Side
- Built in Summer / Winter Damper
- UV Resistant Cabinet and Scale Control Insert
- Saddle Valve
- Polyslate Gray Housing matches Furnace Cabinet Color
- Decorative nameplate
- 110 V Primary / 24V Secondary 10VA Transformer

Table IAQ-6-A — Specifications: Humidifier with Humidistat

Model Number	Description	Used With	Mfg. Plant	Shipping Weight
THUMD500APA00B ^{①④}	Fan Powered Humidifier	All Furnace Models	TY	20
THUMD300ABA00B ^②	Large Bypass Humidifier	All Furnace Models	TY	15
THUMD200ABM00B ^③	Small Bypass Humidifier	All Furnace Models	TY	14

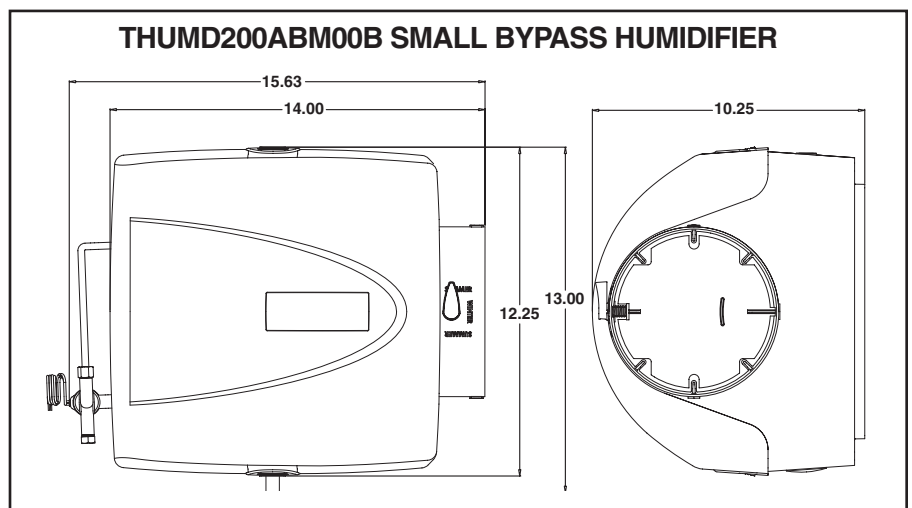
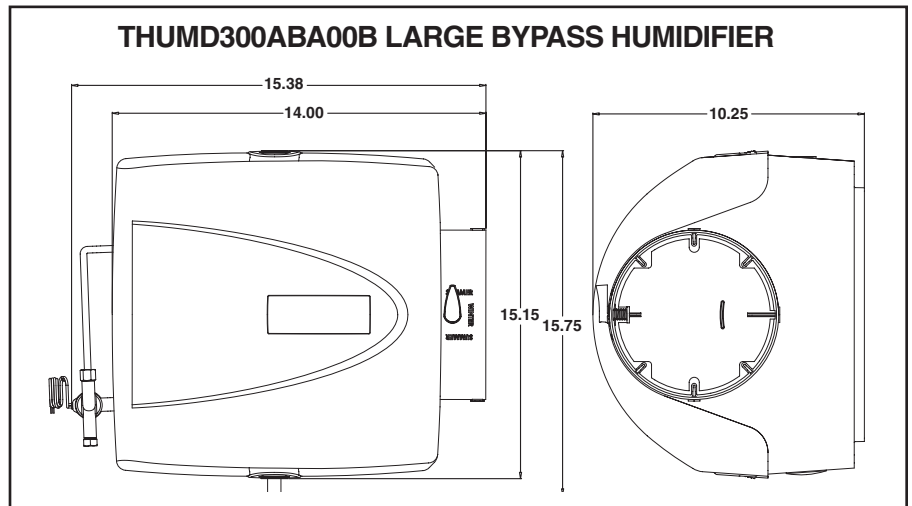
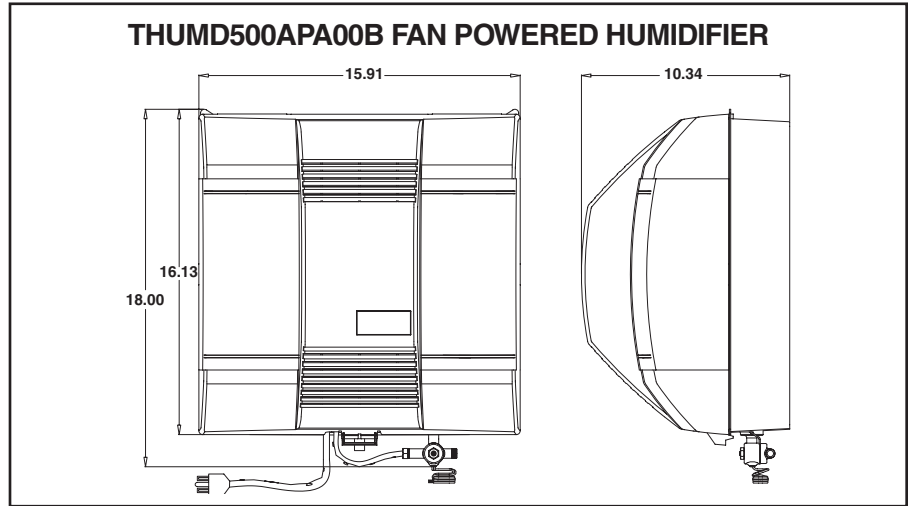
- ① Includes Automatic Humidifier Control (Duct Mount Only).
- ② Includes Automatic Humidifier Control (Duct Mount Only) and 120/24V transformer.
- ③ Includes Manual Humidifier Control and 120/24V transformer.
- ④ Not applicable for horizontal installations.

Table IAQ-6-B — Accessories

Model Number	Description	Used With	Mfg. Plant	Shipping Weight
BAYPAD02A1310A	Large Humidifier Pad 13"x10"	THUMD500,300A	TY	1
BAYPAD01A1010A	Small Humidifier Pad 9-7/8"x9-5/8"	THUMD200A	TY	1
TCONTH01AAUTOA	Automatic Humidifier Control	THUMD200A	TY	1
BAYRLY10ASENSA	Current Sensing Relay	All	TY	1
BAYPLT01AMHCOA	Adapter Plate (Duct Mount)	Manual Humidifier Control	TY	1

For complete equipment / combination selections, installation instructions and warranty information, please refer to Product Data/Ratings and/or Installers Guides and Limited Warranty Handbooks.

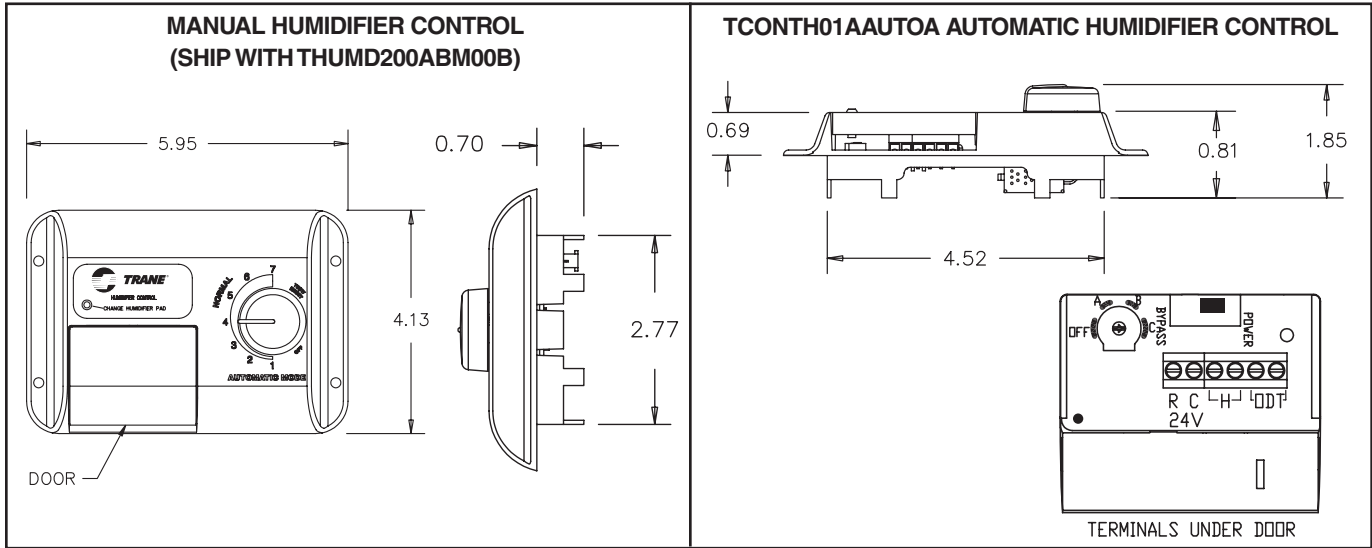
Humidifiers Fan Powered and Bypass



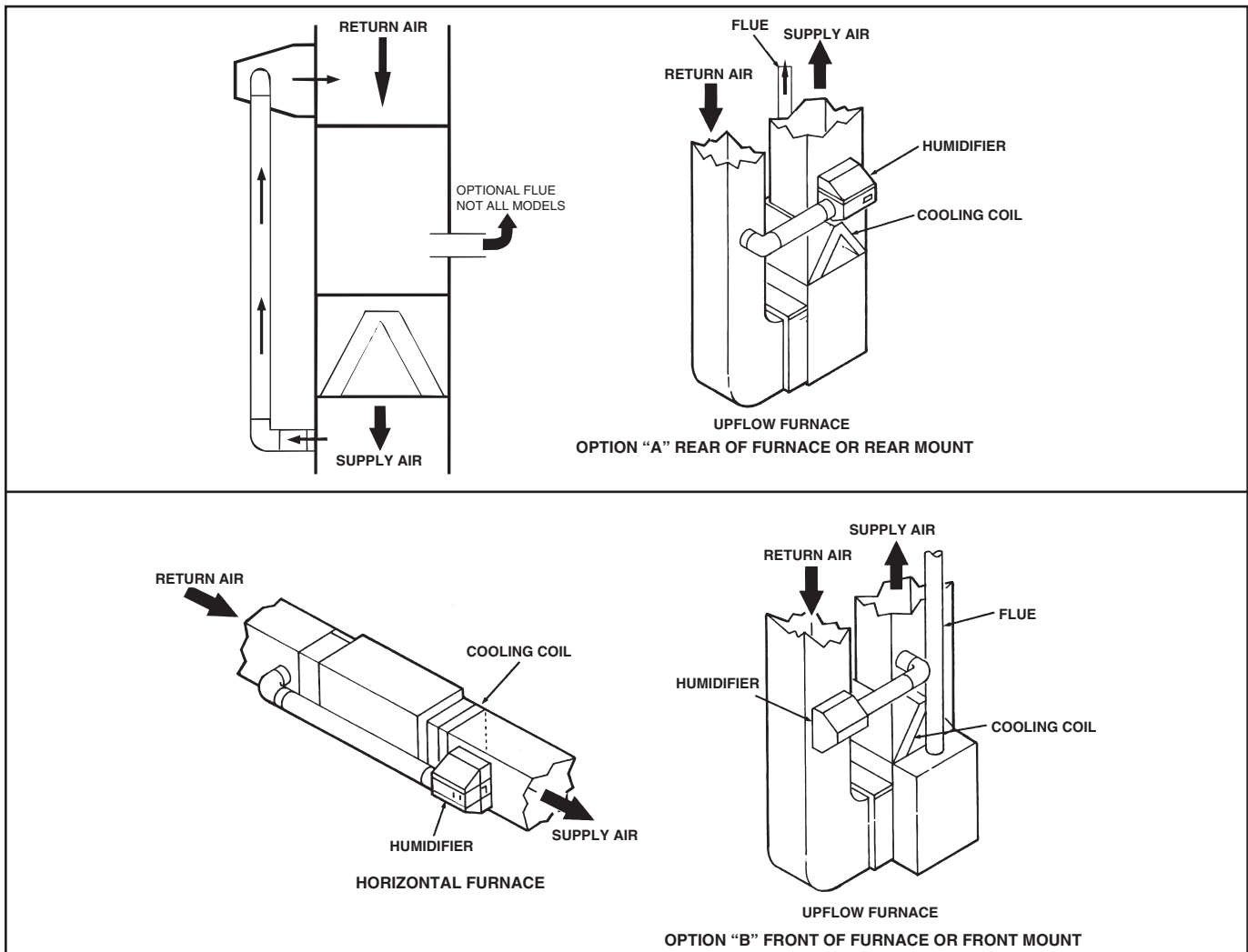


It's Hard To Stop A Trane®

Humidifiers Fan Powered and Bypass



SUGGESTED BYPASS HUMIDIFIER LOCATIONS

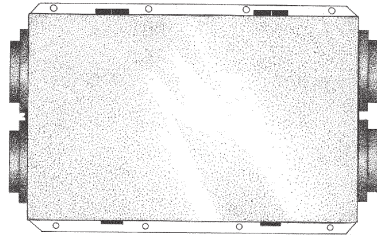


For complete equipment / combination selections, installation instructions and warranty information, please refer to Product Data/Ratings and/or Installers Guides and Limited Warranty Handbooks.



It's Hard To Stop A Trane.®

FreshEffects™ Energy Recovery Ventilator (ERV)



- FreshEffects™ ERV technology for all seasons and climates
- Static plate energy transfer core for efficient transfer of heat and moisture
- Passive defrost - condensate drain not required
- Balancing dampers not required
- Multi position mounting
- Percent Timer (PT) control included with ERV for simple, automatic operation
- Optional Push Button (PB) control connects to PT control
- Cam action door latches for quick service access
- Heavy gauge, powder painted steel cabinet
- Permanently lubricated motor bearings (ball bearings)
- 6" and 8" double collar duct connections for TERVR100 and 200
- 8" round compatible duct connection for TERVR300
- Closed cell foam gasketing for insulation integrity
- 1" duct board insulation with cleanable foil face
- May be installed in conditioned and unconditioned spaces
- Cabinet / Door color: Trane Polyslate Gray / Tarpaulin Gray
- **Based Limited Warranty 5-years**
- **Registered Limited Warranty 10-years**
- **Optional extended warranty**

Table IAQ-9-A — Specifications: ERV

Model Number	Nominal Airflow (CFM)	Power Supply	Uncrated Dimensions (In.) H x W x D	Shipping Weight
TERVR100A9P00A①	130	120/1/60	20 ¹ / ₈ x 28 ³ / ₄ x 13	65
TERVR200A9P00A①	200	120/1/60	20 ¹ / ₈ x 28 ³ / ₄ x 23 ⁷ / ₈	85
TERVR300A9P00A①	300	120/1/60	20 ¹ / ₈ x 28 ³ / ₄ x 23 ⁷ / ₈	95

① Percent Timer Control included with the ERV.

Table IAQ-9-B — Specifications: ERV

Model Number	Apparent Sensible Effectiveness(32°F)	Sensible Recovery Effectiveness(32°F)	Latent Recovery (32°F)	Total Recovery (95°F)
TERVR100A9P00A	80% @ 124 cfm	72% @ 124 cfm	55% @ 124 cfm	46% @ 126 cfm
TERVR200A9P00A	85% @ 181 cfm	78% @ 181 cfm	62% @ 181 cfm	52% @ 180 cfm
TERVR300A9P00A	78% @ 295 cfm	70% @ 295 cfm	51% @ 295 cfm	43% @ 295 cfm

Table IAQ-9-C — Optional Accessories

Model Number	Description	Used With	Shipping Weight
TCONTV10APBC0A	Point of Use Push Button Control	ERV models 100, 200, 300	1
BAYFLT10A1010A	Filters - 2 per pack	ERV models 100	1
BAYFLT20A1020A	Filters - 2 per pack	ERV models 200, 300	1
BAYWHT10AVENTA②	6 inch White Vinyl Ventilation Hood	ERV models 100, 200	1
BAYBRN10AVENTA②	6 inch Brown Vinyl Ventilation Hood	ERV models 100, 200	1
BAYGLV10AVENTA②	8 inch Galvanized Ventilation Hood	ERV models 300	2

② Qty 1.